

PLAN

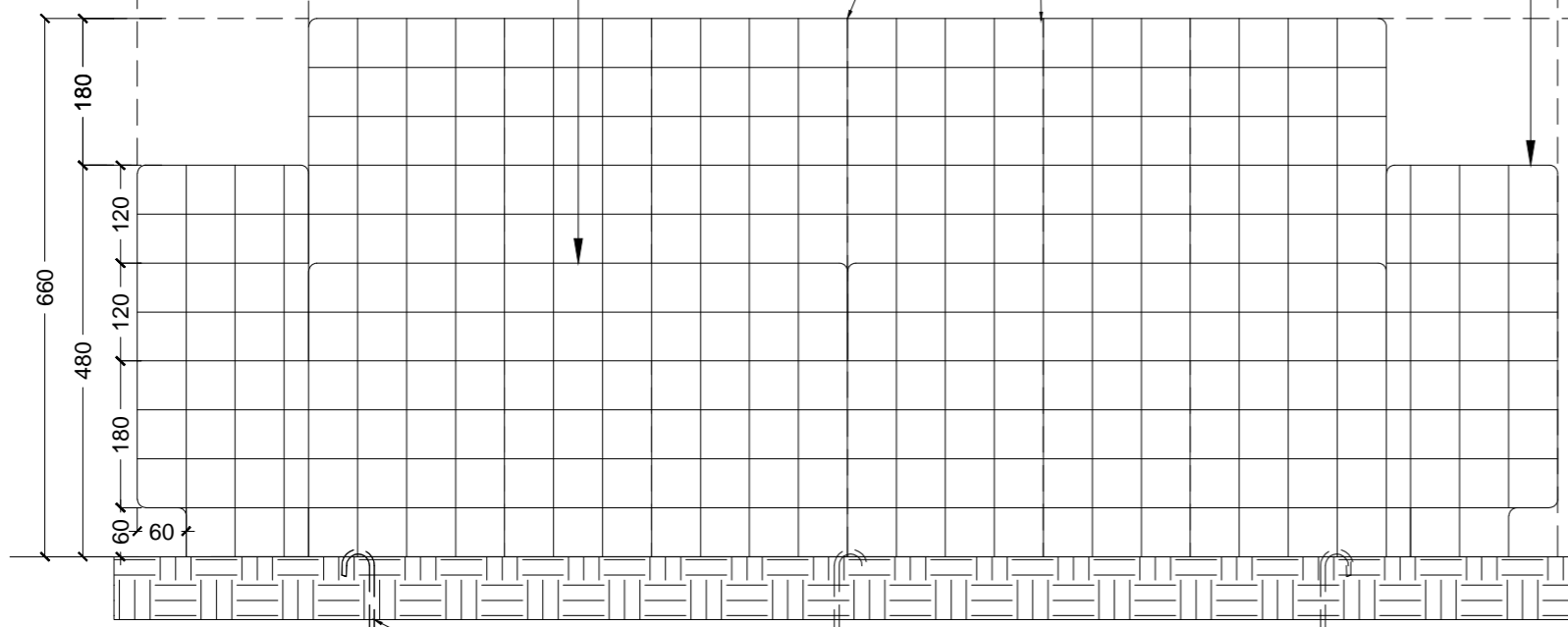
(INSET)
b

R: 10mm diameter to all edges

120mm thk x 600mm x 600mm removable BRC netting sofa cushion with 3.2mm Ø thick hot-dipped galvanised steel at 60mm x 60mm grid module. (2 nos)

BRC netting sofa structure inside to support main netting frame.

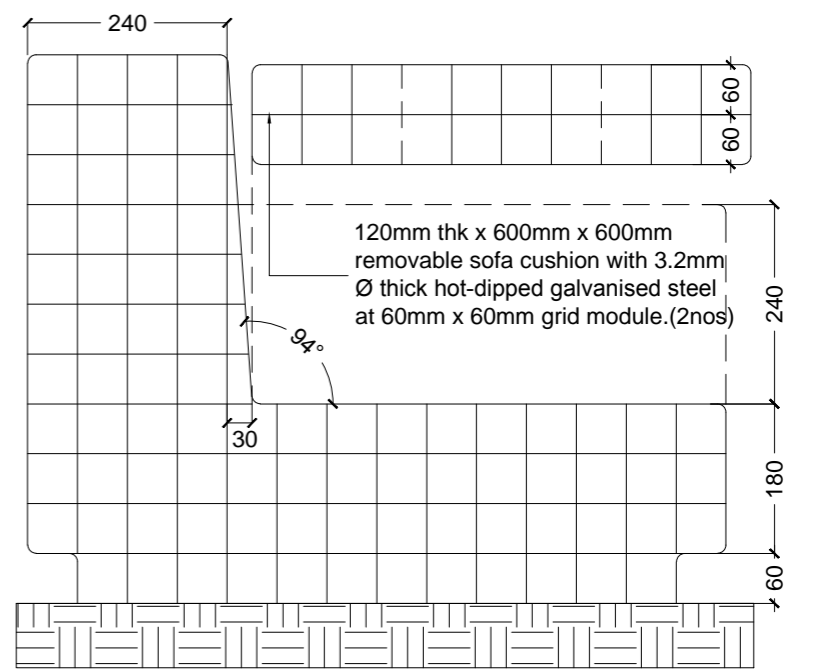
BRC netting, 3.2mm Ø thick hot-dipped galvanised steel with 60mm x 60mm grid module.



FRONT ELEVATION

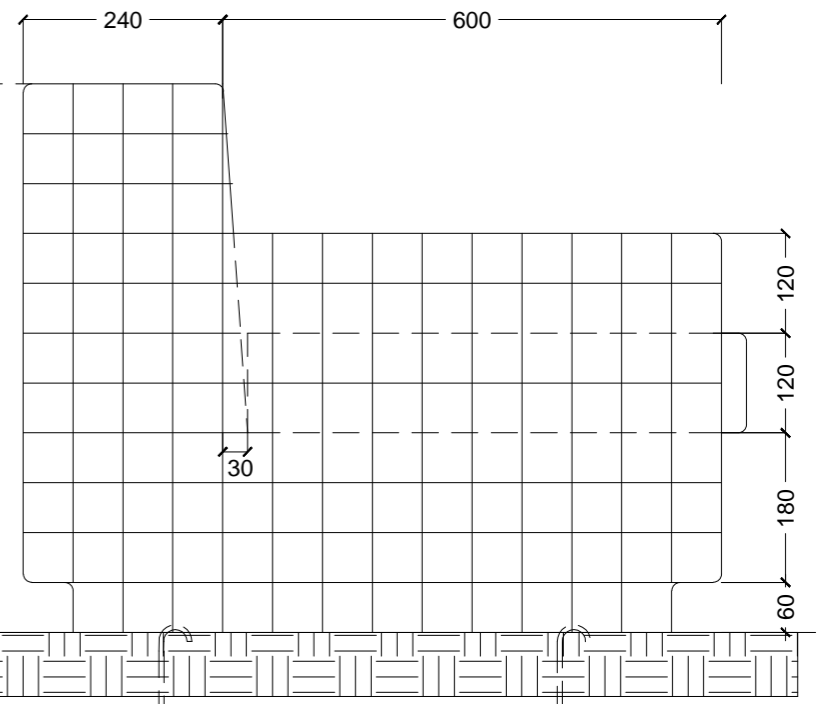
5mm Ø solid steel bar to hook BRC Netting seat on the ground.(6nos each seat -type 2 sits) - REFER DETAIL 1 -SG1-W00-LD59-02.

Note:
All BRC Netting Sofa - 2sits to be hooked on the ground with 6 nos of steel hooks and selected sits will be planted with acalypha siamensis inside the BRC cage to LA's approval.

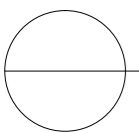


SECTION 'b'

120mm thk x 600mm x 600mm removable sofa cushion with 3.2mm Ø thick hot-dipped galvanised steel at 60mm x 60mm grid module.(2nos)



SIDE ELEVATION



TYPICAL DETAIL - BRC NETTING SOFA BED - 2 SITS

Scale 1:10