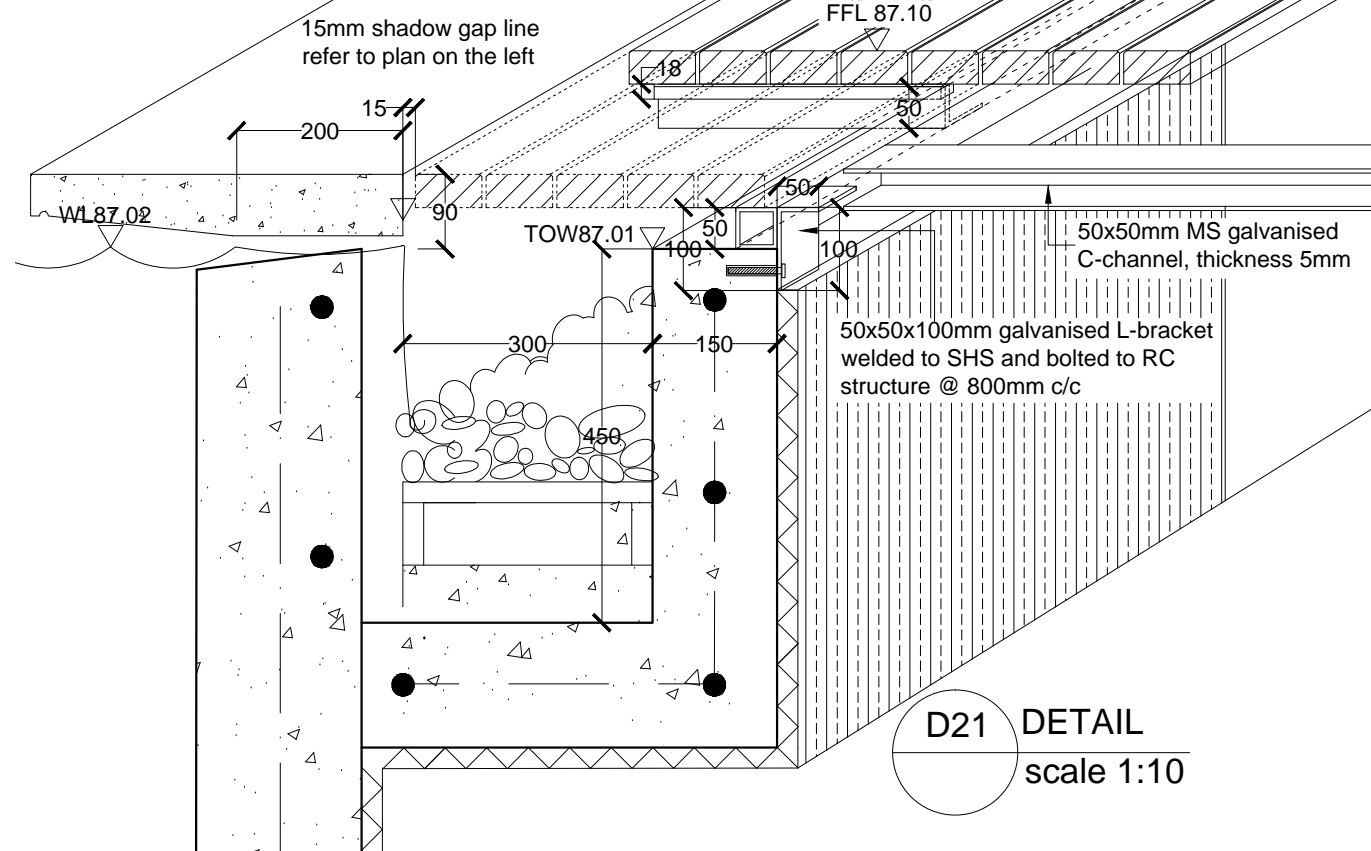


**D22 DETAIL PLAN & SECTION - removable timber panel**  
scale 1:10



**D21 DETAIL**  
scale 1:10

**POOL**

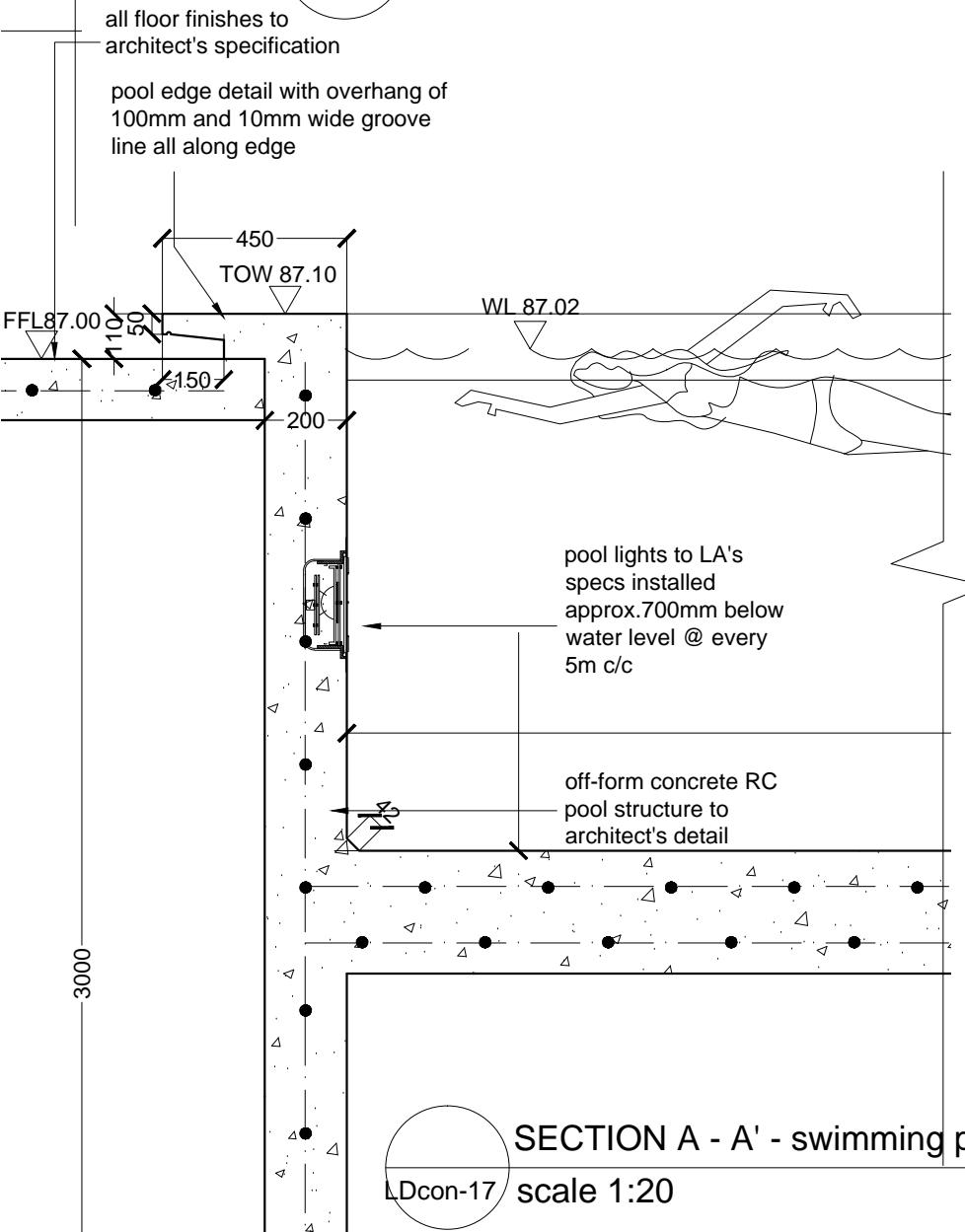
all floor finishes to architect's specification

pool edge detail with overhang of 100mm and 10mm wide groove line all along edge

raised 'ritewood' decking of 90x38mm strips laid with 5mm gap in between each strip. fixing to manufacturer's spec. colour to LA's approval

removable 'ritewood' access panel for maintenance of overflow drain with SS clip channel to detail

25x50mm SS L-angle, thickness 3mm cut to length of SS clips fixed to RC stump.



**SECTION A - A' - swimming pool and timber decking**  
LDcon-17 scale 1:20

