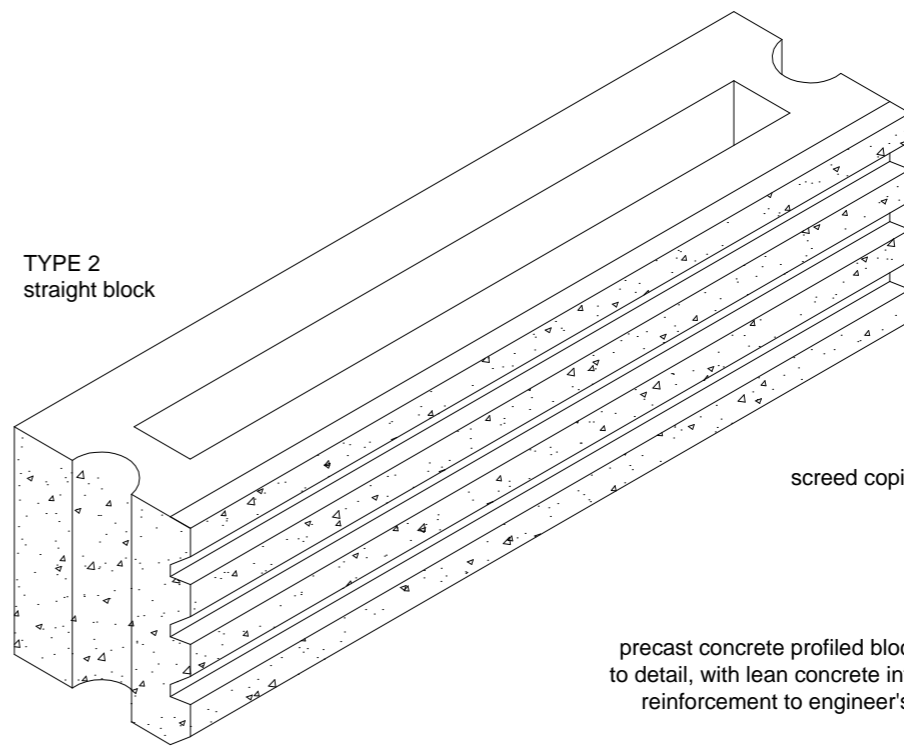
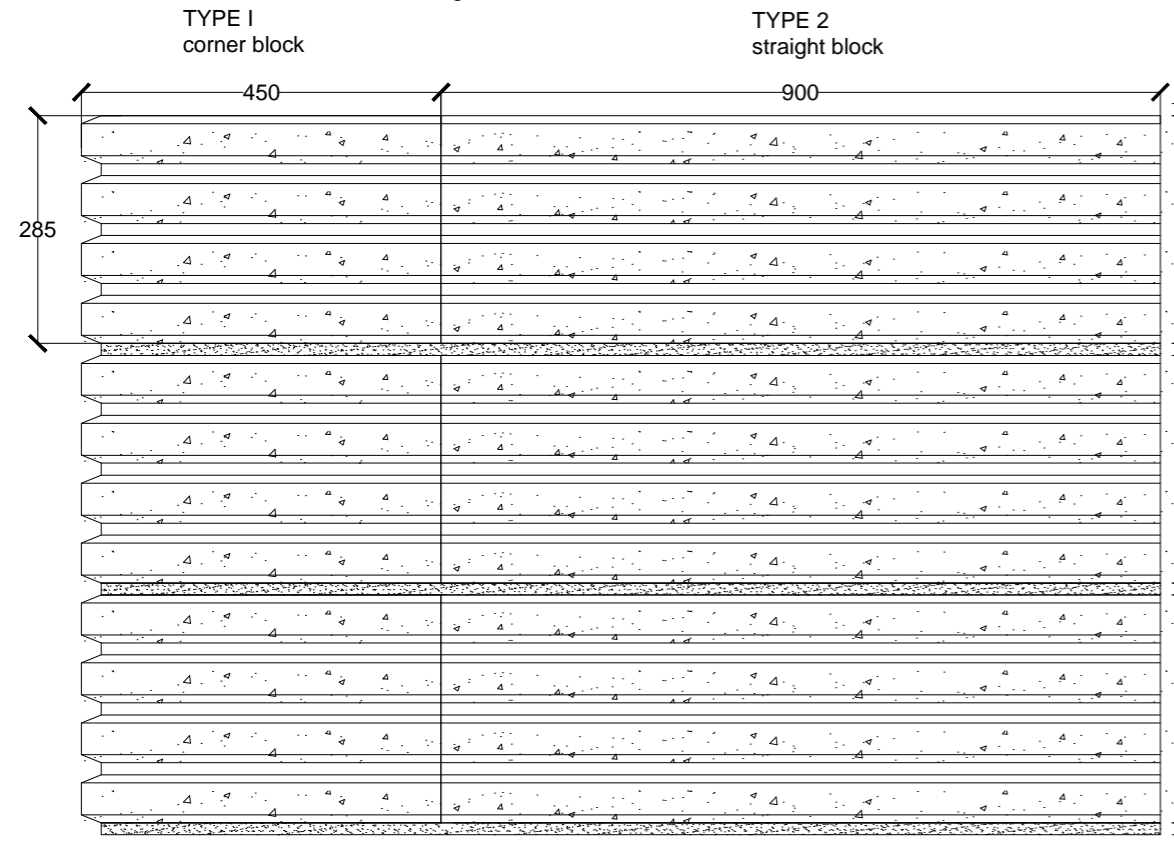
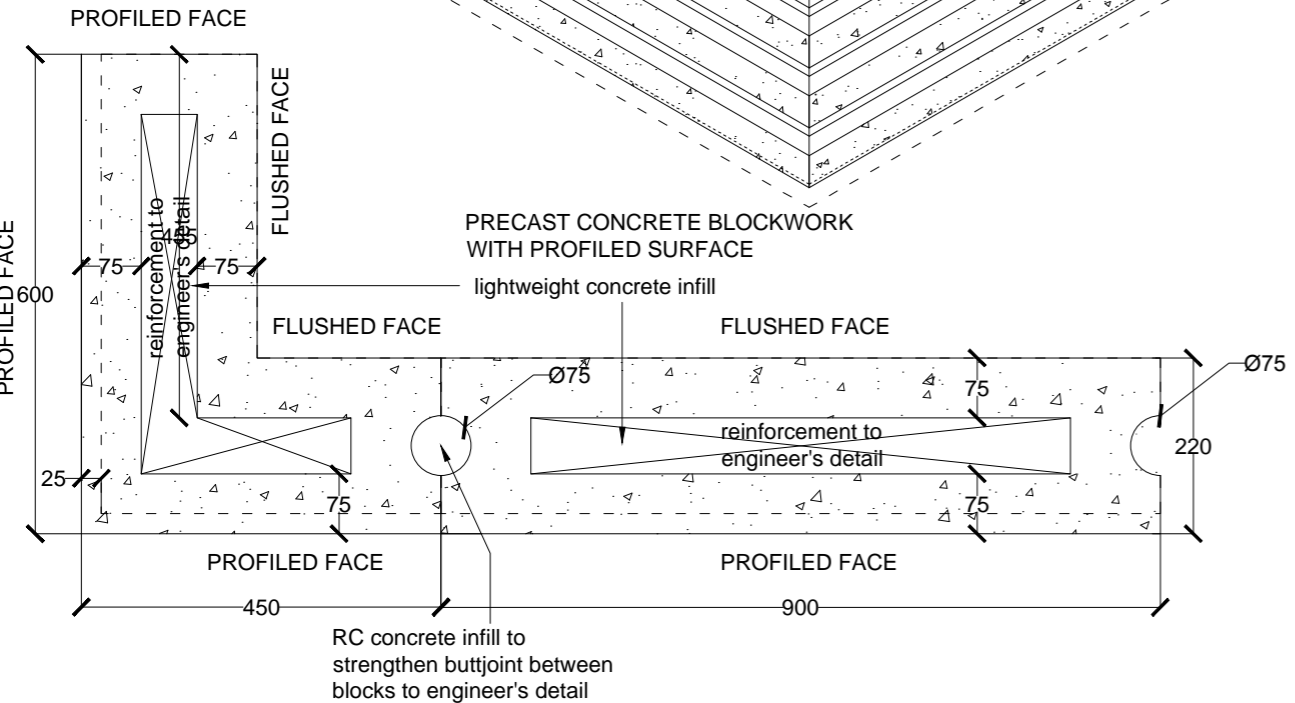


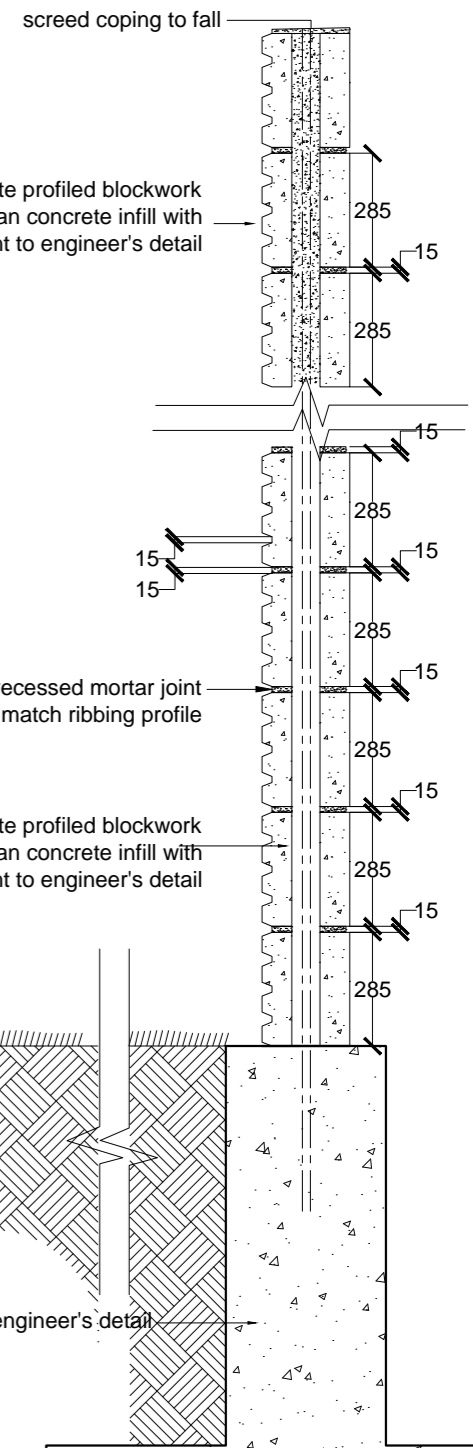
TYPE I
corner block



TYPE 2
straight block

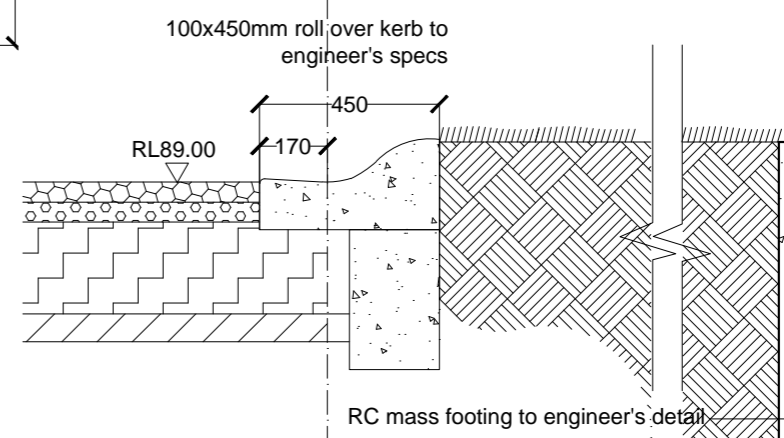


D PLAN & ELEVATION - concrete blockwork detail
scale 1: 10



D AXONOMETRIC - PC blockwork
scale 1: 10

NOTE: mock-up and sample to be submitted by contractor prior to construction. formwork to be made of bent profiled metal sheeting as per detailed profiled dimensions as indicated



D DETAIL SECTION - feature wall
scale 1: 20