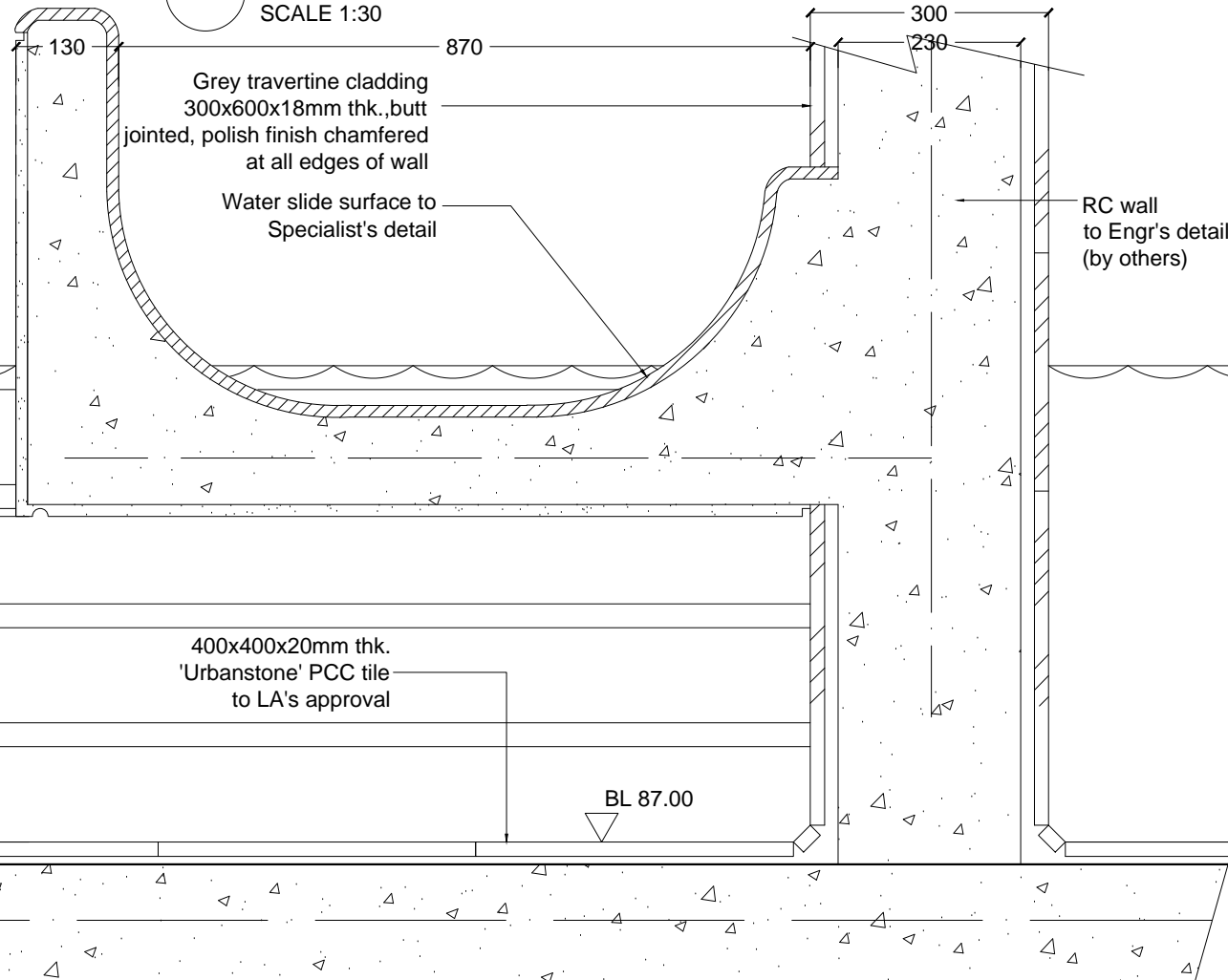
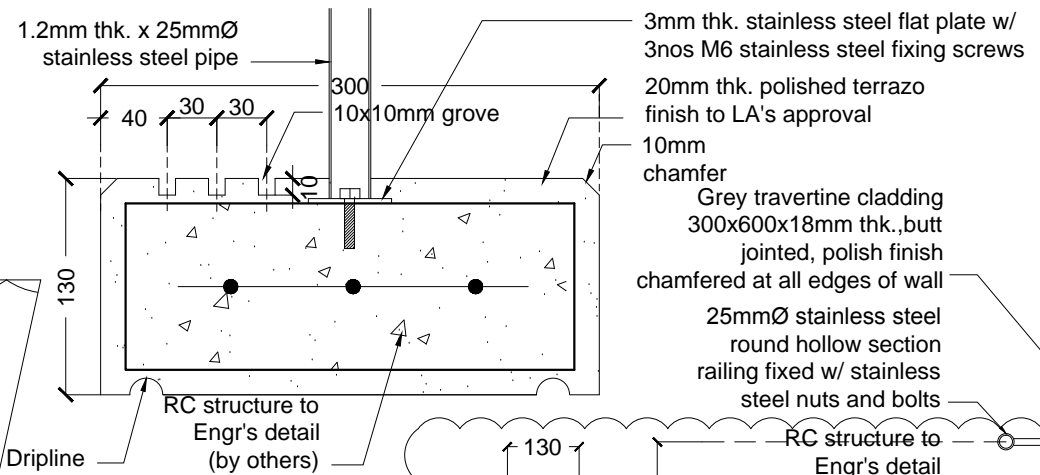


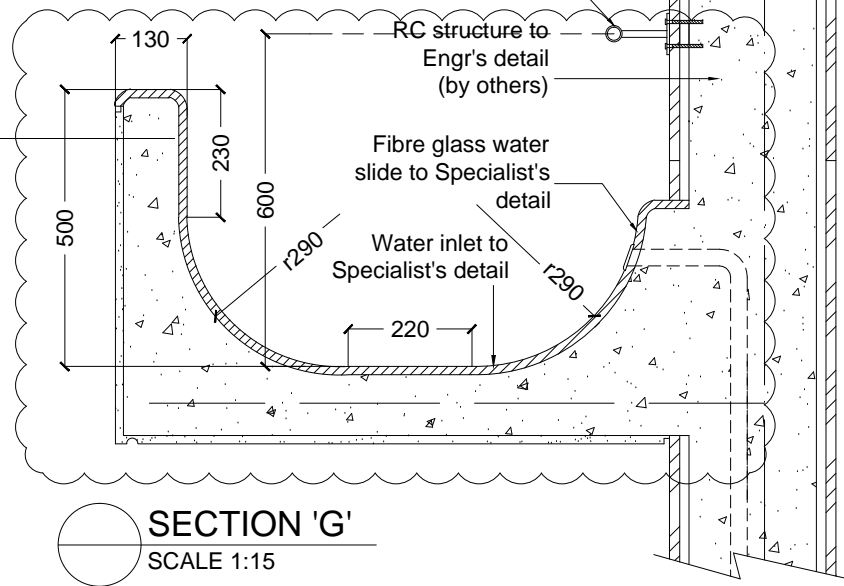
ELEVATION 'V'
SCALE 1:30



SECTION 'H'
SCALE 1:10



DETAIL 'F'
SCALE 1:5



SECTION 'G'
SCALE 1:15