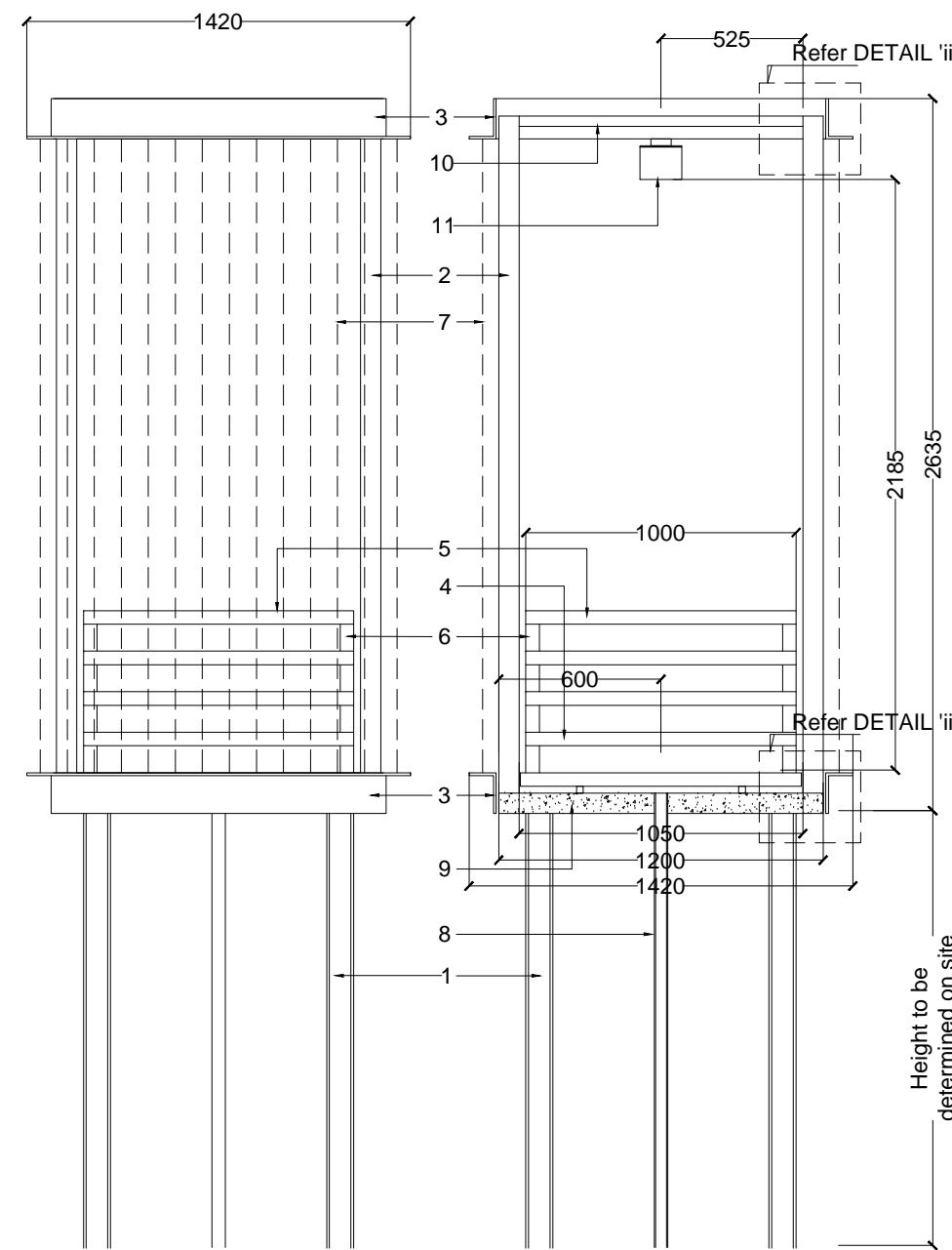


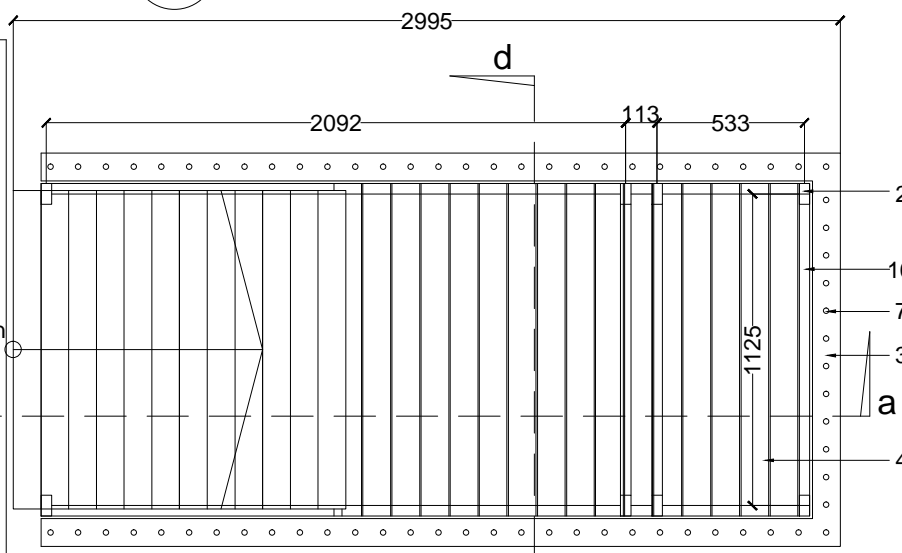
SECTION 'a'  
SCALE 1:30



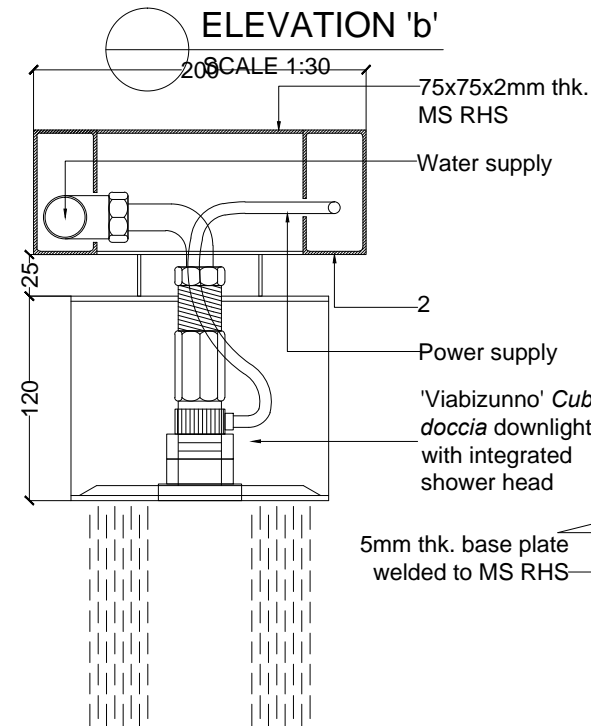
ELEVATION 'c'  
SCALE 1:30

SECTION 'd'  
SCALE 1:30

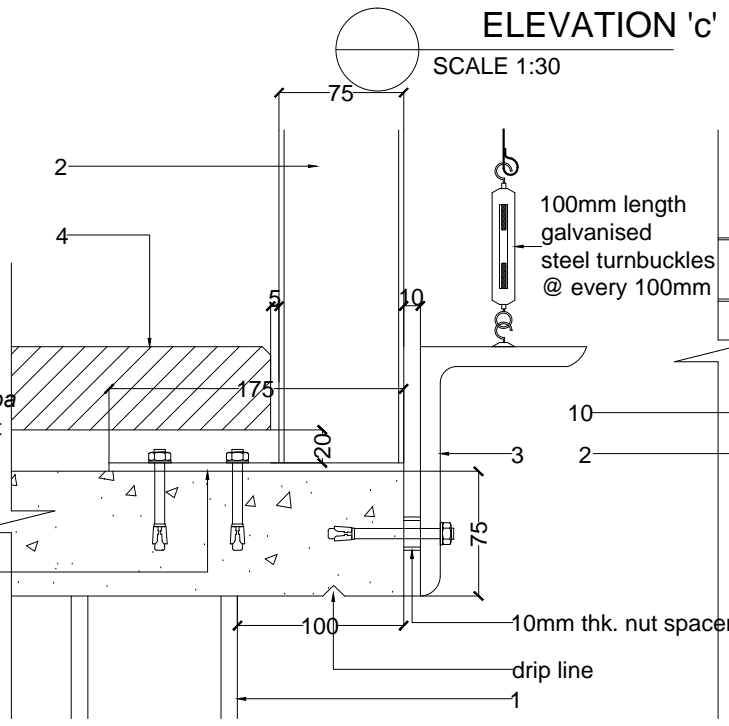
Height to be determined on site



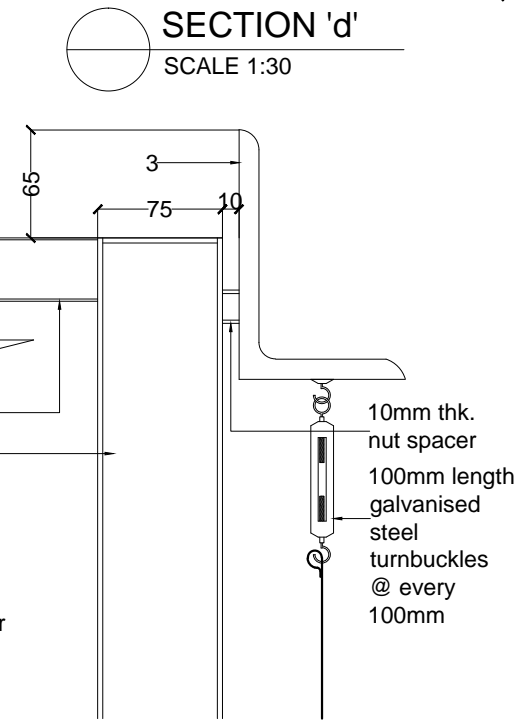
PLAN  
SCALE 1:30



DETAIL 'i'  
SCALE 1:5



DETAIL 'ii'  
SCALE 1:5



DETAIL 'iii'  
SCALE 1:5