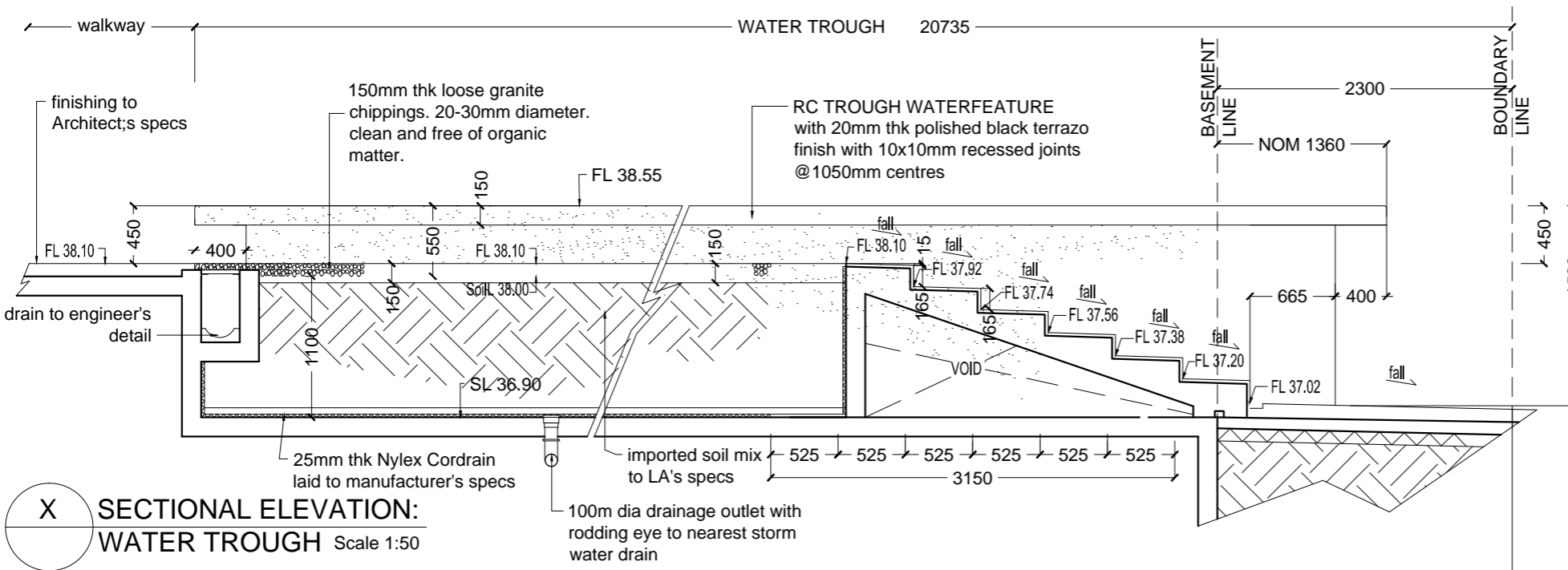


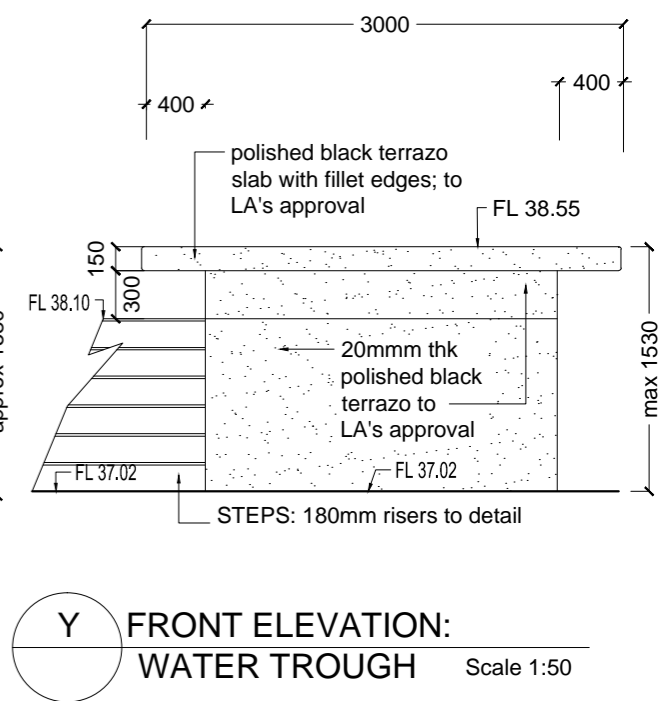
PLAN: WATER TROUGH

Scale 1:100



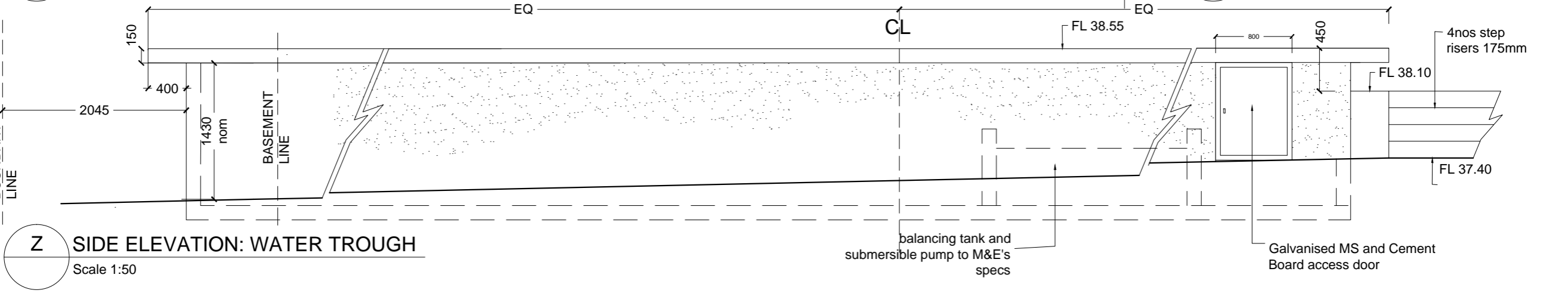
SECTIONAL ELEVATION: WATER TROUGH

Scale 1:50



FRONT ELEVATION: WATER TROUGH

Scale 1:50



SIDE ELEVATION: WATER TROUGH

Scale 1:50