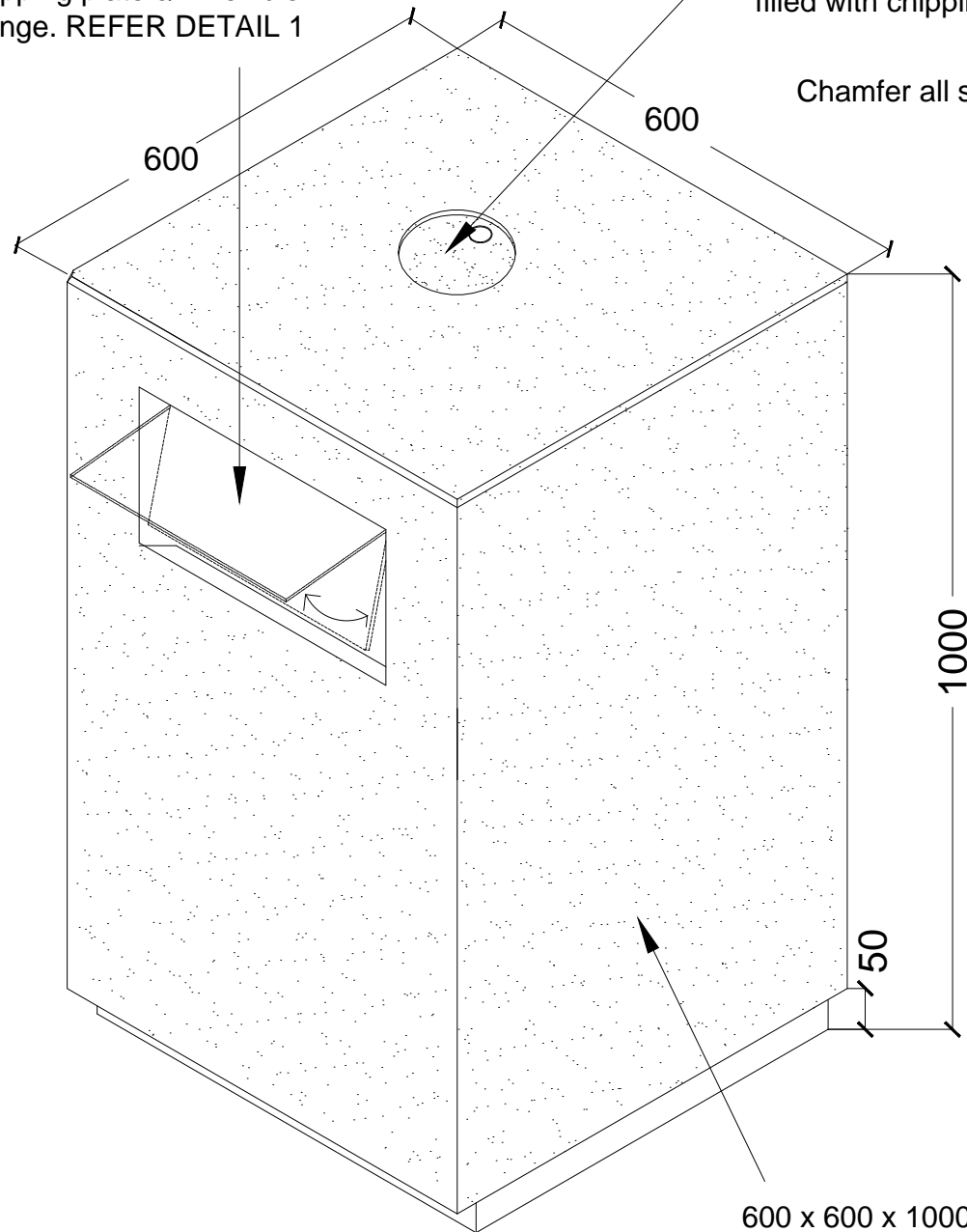


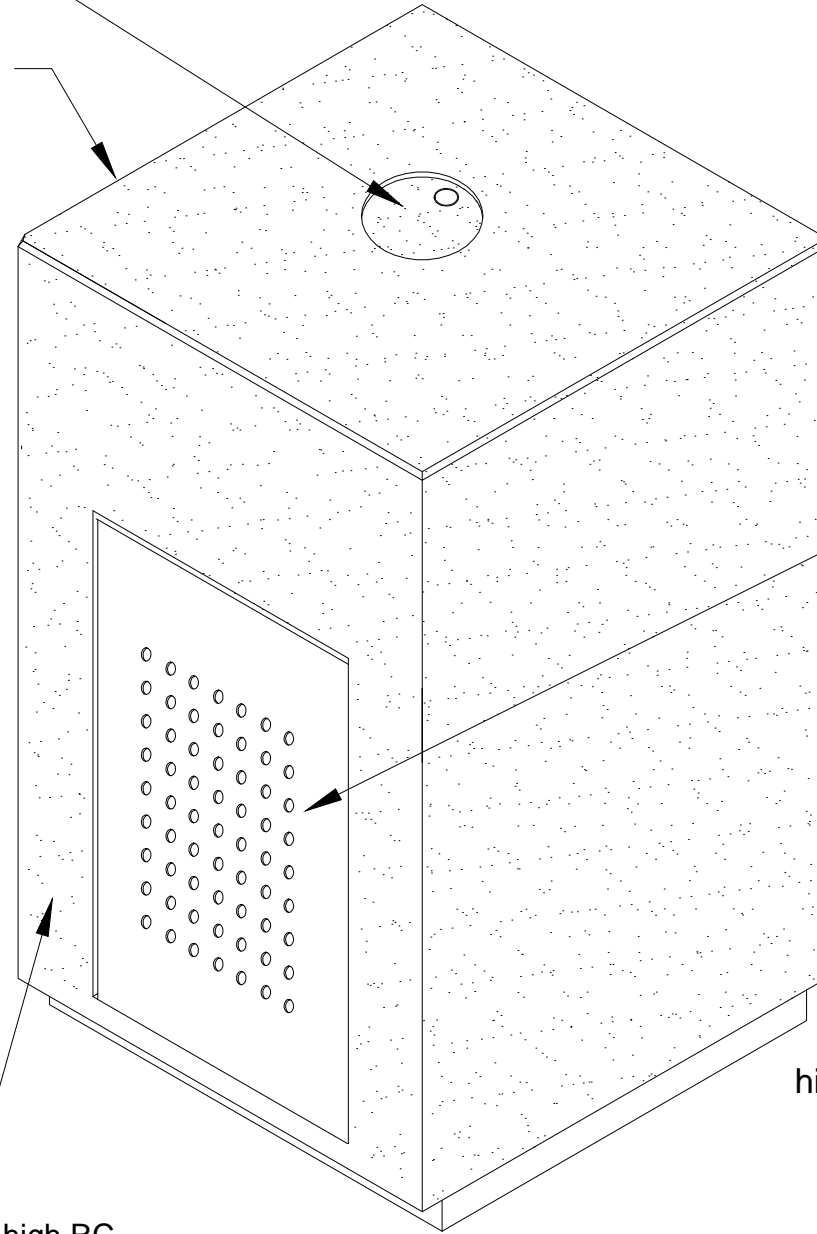
2mm thk x 200 x 400mm
hairline finished stainless
steel flipping plate c/w flexible
hinge. REFER DETAIL 1

150mm Ø 25mm deep
cigarette stub-out area
filled with chippings

Chamfer all sides



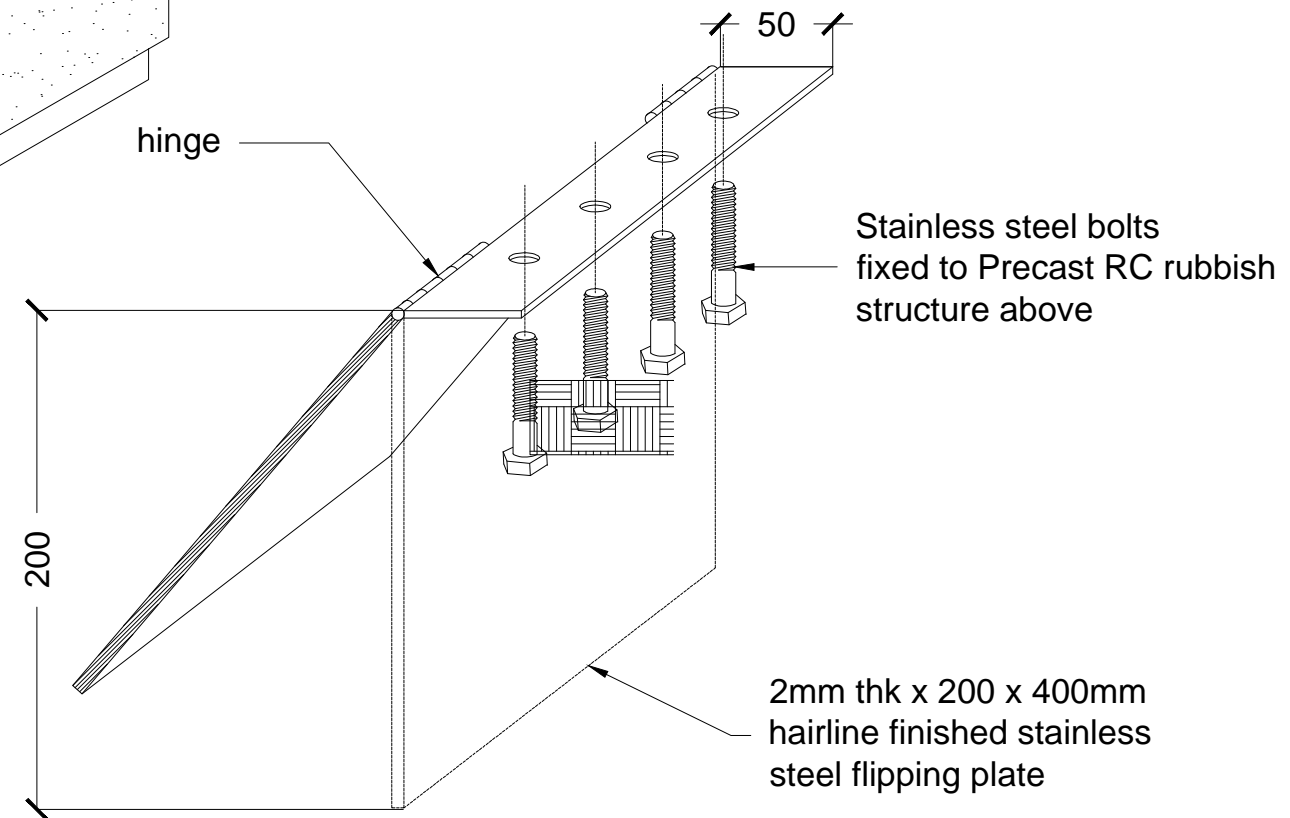
FRONT ELEVATION



BACK ELEVATION

600 x 600 x 1000mm high RC
dustbin finished with yellowsand
white cement (similar to seatwall);
reinforced to engnr's specs

2mm thk x 400mm x
580mm
perforated hairline
finished stainless
steel door to
specialist's detail



DETAIL 1

NTS

b

RUBBISH BIN

SCALE 1:20